



PORTAGANTRY 500-3000™

➤ Assembly & Operation Guide

> Contents

Correct Operation 4

Intended Use
Inspection Prior to Initial Operation
Inspection Before Starting Work
Maximum Capacity
Temperature Range
Notes for Correct Operation
Warning
Traversing the Load
Moving under Load
Fall Protection
Additional Notes for Correct Operation
Warning
IRATA

Inspection & Maintenance 8

Regular Inspections
Maintenance & Repair
Storage & Transportation

ATEX 9

ATEX
Classification [Zone 2]
Classification [Zone 1]
Spark Formation
Static Electricity
Inspection, Maintenance & Repair

Notes 11

Assembly Instructions 12

Variants & Options 17

Dimensions 20

Quality & Safety 24

Regulations, Standards & Directives
Accreditations
Conformité Européenne [CE]
The Queen's Award for Enterprise
Testing
Language
Product IPR

Product Labelling 26

Inspection Record 27

Lightweight. Portable. **Safe.**

Please read the following instructions and guidance notes carefully, before using or operating the system.

They contain important information about how to handle and use the system in a safe and efficient way, avoiding danger, reducing repair costs and downtime, and increasing the reliability and lifespan of the system.

They apply for:

- Operation, including preparation, troubleshooting during operation and cleaning
- Maintenance, inspection and repair
- Transportation

It is the responsibility of the end user to adhere to the Health & Safety and accident prevention standards and legislation valid in their respective countries and any regions in which the system is being used. It is also incumbent on the user or competent person to ensure that anyone working with the equipment has the necessary medical and physical capabilities. A rescue plan also needs to be in place in the event of an emergency that could occur during the work. This document should form part of the overriding Risk Assessment and Method Statement required for each lift.

➤ Correct Operation

Intended Use

This product is intended to be used for the lifting of goods, the lifting of personnel, rope access or for providing a safety anchor for the prevention of falls.

It is expected that all users of this product have the necessary medical and physical capabilities, are fully trained and competent in its safe assembly and use.

Inspection Prior to Initial Operation

This product must be inspected prior to initial operation by a competent person to ensure that the structure is safe and that it has not been damaged by incorrect assembly, transport or storage.

Inspection Before Starting Work

Before starting work, the assembly of the product and all load-bearing components should be checked for visual defects. This includes checking the integrity of all profiles for denting, making sure there is no wear or elongation on the bolt holes and ensuring that the trolley moves freely along the beam.

Maximum Capacity

Goods Lifting: This product is designed to lift and lower loads up to its rated capacity. Do not exceed the working load limit indicated on the product.

Personnel Lifting: When lifting people, the overall load limit is reduced by half to provide an increased safety factor. The maximum capacity permitted by the personnel winch/accessory used in conjunction with this product also needs to be considered.

Temperature Range

This product can be operated in ambient dry temperatures between -20°C and $+55^{\circ}\text{C}$ (-4°F and 131°F). Consult your supplier in case of extreme working conditions. If used in sub-zero and wet conditions, fall arrest appliances characteristics may change.

Notes for Correct Operation

- Assemble only as instructed (ensure all bolts are present and fitted correctly as per instructions)
- Suitable, appropriately rated winches and connection plates must be used for all applications
- The product should be set up at a safe distance from the hazard or lift area, before moving the structure into place
- The supporting ground/structure where the gantry is to be used must be stable and capable of withstanding the maximum expected load applied during use
- We recommend that gloves are worn when using the equipment
- The beam must be horizontal prior to any lift and A-Frames vertical and parallel to each other
- Do not use the product if the trolley does not run freely along the beam. (For certain applications, such as when the system is being used as a restraint point, the trolleys can be locked into position)
- Attach the hoist to the lifting point on the trolley only, making sure it is attached in a way that does not expose the user to danger by the hoist, chain or load

- Only raise and lower loads when castor brakes are engaged
- Do not allow the load to swing
- To avoid side pull, lowering and lifting should only be carried out when the load chain forms a straight and vertical line between the load and lifting attachment point on the trolley. (Refer to figure A)



- We recommend the use of load-sensing or overload protection devices on all lifts
- The risk assessment and method statement must take into account any factors that might apply additional loading to the system during lifting operations
- Take care when transporting and storing the system to avoid damage
- To ensure stability of the structure, the operating span of the beam must be equal to or greater than the distance between the castors on the A-Frame

Warning

- The equipment should not be used outside of its limitations, or for any purpose other than that for which it is intended
- Do not lift or transport loads while personnel are in the danger zone
- Do not allow personnel to pass under a suspended load
- Never leave a suspended load unattended
- Do not start moving the load along the beam until you have checked that it has been attached correctly
- Don't allow the load to hit the system frame
- When winching, only use one winch with each sheave and make sure they never cross paths with each other
- Be aware of any adverse weather conditions such as strong or gusty winds which could impose additional horizontal loads and affect the stability of the structure. Stop using if weather is impacting on lifting, and either disassemble the gantry or tie it to a rigid structure to ensure it can't overturn
- Be aware of hazards when setting up/folding down, such as trapping fingers in rotating parts

Traversing the Load

This product is designed so that the load can be traversed along the beam using the trolley. When moving a loaded trolley along the beam, move the load steadily and in a controlled manner and avoid sudden movements

At larger capacities and/or longer beams this action can become difficult. REID recommends that a rope control system be used to reduce the effort and provide more control over the movement.

The rope control system allows the operator to control the movement of the trolley from a safe location at the side of the gantry. This system includes a winch and series of pulleys that introduce a mechanical advantage and reduce the effort during operation.

➤ Correct Operation

Moving under Load

When moving the gantry underload, the following instructions **MUST** be followed:

- This product can only be moved in the direction perpendicular to the beam
- Directional locks must be used on the castors (perpendicular to the beam only)
- The end user **MUST** make sure the center of gravity of the load is known and the lifting points are in such a way that the load is **EQUALLY** distributed, so the load generates a vertical pull to the beam.
- The load is not allowed to swing
- The floor must be smooth, flat, free from cracks or steps and the weather conditions should be safe for the operation (i.e. not when frost, ice or snow present)
- A risk assessment and method statement are required to be completed by a competent person before moving the gantry under load
- The gantry's movement must be controlled at a slow speed, no sudden movements or high speeds are allowed.

Fall Protection

When being used as part of a fall protection system the user must use a body harness and retractable device or shock absorber to EN355 that limits the maximum allowed force (M.A.F.) to 6kN. Winches used with the system should comply to EN1496:2017 or equivalent.

In the event of simultaneous goods and personnel combined lifting/ fall arrest or when being used as a fall arrest system in sub-zero and wet conditions contact the supplier as capacities may be reduced.

Only one person should be attached to each trolley in accordance with the notified working load limit (WLL). Each lift must be properly planned, and all weights clearly known along with the WLL and constraints of all personal fall arrest system components.

The capabilities stated in the table below apply to standard range systems only. If unsure about your system consult serial labels, information filled in on page 27 or consult your supplier. Bespoke versions of the system are available tailored to specific lifting needs. These versions are designated with a 'C' at the end the product number on the serial label attached to each A-Frame and beam.

For custom designed gantries please contact your supplier for appropriate rating and capabilities.

This product has different ratings depending upon the application as detailed in the table below:

Application	Capacity			
	Goods [kg]	500	1000	2000
Fall Arrest*	3 persons	3 persons	5 persons	5 persons
Max. Combined Personnel Lifting Capacity [kg]	250	400	750	1000

*Only Applicable to PORTA GANTRY systems being used in accordance with PD CEN/TS 16415:2013. When being used in accordance with EN795:2012, the structure shall be limited to a maximum of one user in fall arrest.

Additional Notes for Correct Operation

- Ensure suitable and appropriately rated winches and connection plates are used for all applications
- The fall arrest device must only be attached to the lifting points on the trolley or to the approved brackets
- Never walk away from the structure whilst connected to the equipment (either by winch or fall arrest block)
- Only use the product for fall arrest applications when the castor brakes are engaged
- When using the product as a fall arrest anchor ensure there is adequate fall clearance when working at height (Refer to figure B)



- Always consider the potential effects of sharp edges, chemical reagents, electrical conductivity, cutting, abrasion, climatic exposure on the fall protection lifelines, and the effect of offset forces as a result of pendulum falls
- When being used for fall protection, the user must remain within the footprint of the product
- Where required by regulation, each installation must be approved by a qualified person

Warning

- When using for fall protection, only use one lifeline with each trolley/sheave and make sure they never cross paths with each other
- If more than one person is attached to the gantry, make sure that working procedures prevent individual lifelines from crossing and becoming tangled
- When using the product in conjunction with another manufacturer's fall protection products, ensure that you have read the instructions for use of those products to ensure their suitability and any restrictions for use.
- It is not recommended to mix the use of the gantry with personnel and goods lifting simultaneously.

- It is essential for safety that the product is withdrawn from use immediately and not be used again until confirmed in writing by a competent person should,

1. Any doubt arises about its condition for safe use or;
2. It has been used to arrest a fall

IRATA

This product is suitable for rope access and has been tested to 15kN. Static load as per test requirements of IRATA international code of practice (ICOP).

➤ Inspection & Maintenance

The following information is based on REID Lifting's recommendations and does not remove the responsibility of the user to comply with the relevant regulations and standards that are valid in the respective countries and regions where the system is being used.

Regular Inspections

To ensure that the product's frame remains in safe working order it must be inspected regularly by a competent person. We recommend inspections every 6 months for personnel lifting and every 12 months for goods only, unless adverse working conditions or profile of use dictate shorter periods. The components of the system frame need to be checked for damage, wear, corrosion or other irregularities. It may be necessary to disassemble the system frame in order to do this. Particular attention should be paid to checking the profiles for denting, making sure there is no wear or elongation on the bolt holes and ensuring that the trolley moves freely along the beam.

Any necessary repairs should only be carried out by an approved specialist workshop using original spare parts. It is recommended that once inspected or repaired, the device is marked with the date of the next inspection.

Inspections are instigated by the user. If detailed information is required on inspection and test criteria, please refer to your supplier's technical department. The equipment Inspection Record is on page 27.

If using the product in explosive atmospheres, see additional section titled ATEX.

Maintenance & Repair

In order to ensure correct operation, the conditions for inspection and maintenance must be complied with. If any defects are found, stop using the product immediately.

No alterations or additions to the equipment should be made without the written consent of the manufacturer. Any repair must be carried out in accordance with the manufacturer's procedures.

It is recommended to maintain the equipment in a clean and dry manner. Cleaning is suggested using a sponge or cloth with warm, soapy water, rinsing and allowing to dry.

Storage & Transportation

When transporting the components, take note of all the manual handling considerations.

Do not throw the product down or stack any items on top of it.

Always place carefully and securely on the ground to avoid damaging the equipment.

ATEX

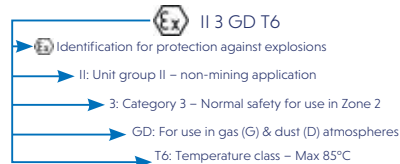
This product has been designed for use in explosive atmospheres in line with the following requirements and information. Any use which differs or exceeds this is considered incorrect and REID Lifting Ltd will not accept any responsibility or liability for damages resulting from false application. The risk is solely with the user. If the product has been customised in any way, then it may not comply with standards and no longer be suitable for use in explosive atmospheres. If this is the case, then the product will not have any of the markings below. If in doubt, please contact your REID representative.

Classification [Zone 2]

As standard, the product meets the requirements of Category 3 equipment for use in Zone 2 explosive atmospheres, providing a normal level of protection where mixtures of air and gases, vapours or mists or by air and dusts mixtures are unlikely to occur or, if they do occur, are likely to do so only infrequently and for a short period only.

The product will have the following identification on the serial label:

As Standard for Zone 2 Environments:

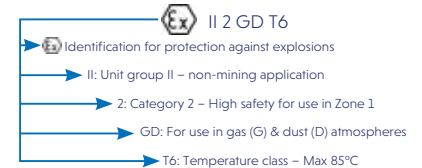


Classification [Zone 1]

Available as an upgrade, the product can be supplied to meet the requirements of Category 2 equipment for use in Zone 1 explosive atmospheres, providing a high level of protection where mixtures of air and gases, vapours, mists or by air and dusts mixtures are likely to occur.

The product will have the following identification on the serial label:

As an Upgrade for use in Zone 1 Environments:



Spark Formation

There is an increased danger of ignition when certain material pairings clash, namely non-corrosion-resistant steel or cast iron against aluminium, magnesium or pertinent alloys. This applies especially in the case of rust or surface rust. When assembling the product and inserting fastening components, these must therefore be clear of rust and debris of any kind. As stated previously, care must be taken to ensure the gantry is handled in a suitable manner, never thrown down and always placed carefully onto the ground.

- For Zone 1 and 2 applications, the height of the system should not be adjusted using the ratchet mechanism and/or geared wheel within those zones
- REID recommends the use of corrosion resistant tools when assembling this system to prevent the possibility of any sparks.
- For ATEX Zone 1 use, stainless steel castor brackets are fitted to reduce the possibility of a spark.

Static Electricity

For Zone 2 applications, there is a potential risk of static electricity build-up leading to an incentive spark. Although the risk of such ignition is unlikely, the system must be earthed during assembly and use. This can be achieved by attaching an earthing lead to a convenient location on metallic parts of both the system and trolley.

For additional protection in Zone 1 applications, the system is fitted with anti-static trolley rollers, stainless steel fasteners and therefore does not need to be earthed.

However, the effectiveness of the conductivity during operation can be affected by a dirty tread or other environmental influences and therefore must be checked periodically by the operator.

Inspection, Maintenance & Repair

Special attention should be given to dust deposits on the structure, especially in areas where the profiles come into contact, and should be wiped clean and care taken not to apply materials that could create electrostatic charging. Additionally, the bearings in the trolley rollers and castors should be checked to ensure they rotate freely.

The structure is predominantly constructed from aluminium which will not rust. However, there are steel components used throughout. These are; fasteners, castors, master-link, trolley rollers, A-frame height adjustment gearing system (if fitted) and the height adjustment ratchet (if fitted).

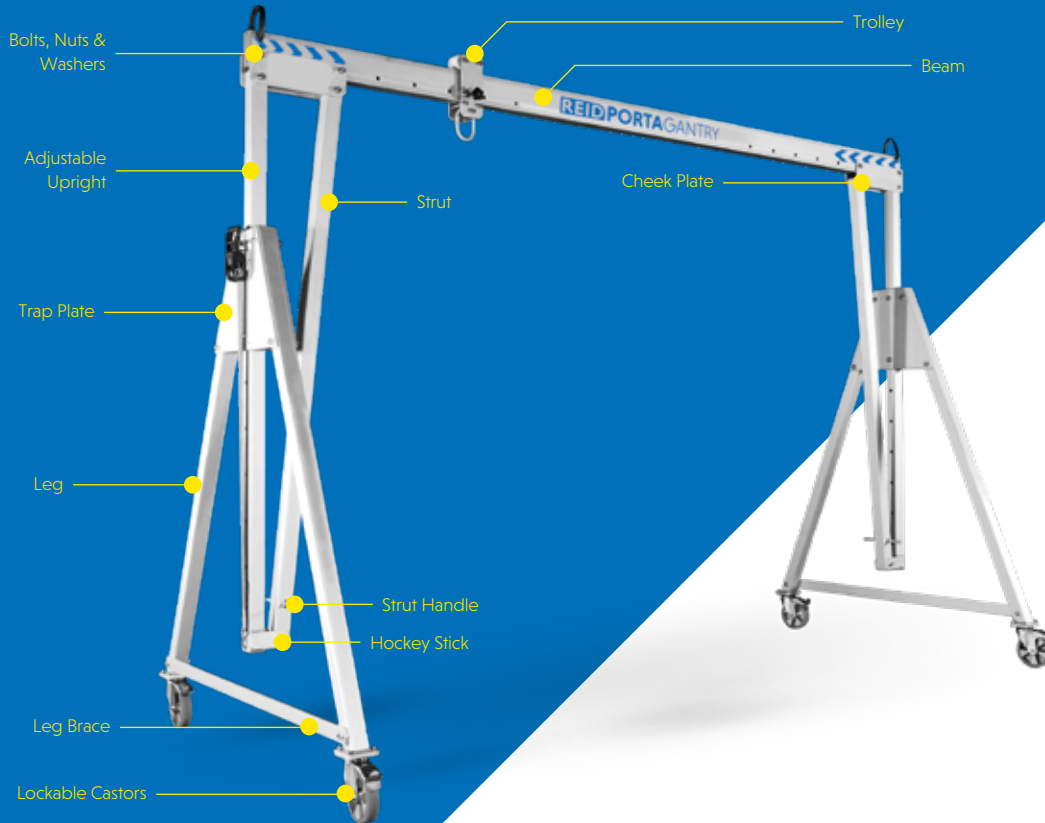
Where there is sign of any rust deposits on the aluminum structure, it should be wiped clean as above and, where there is sign of rust on a steel component, that component should be removed from use and the structure not used until a replacement is fitted.

If using the product in explosive atmospheres, in addition to the Regular Inspection and Maintenance information above, these additional instructions should be followed:

- Inspections must be instigated by the user prior to each use if used in a potentially explosive atmosphere.
- Inspections and maintenance must be carried out at a safe distance away from an explosive atmosphere.

► Assembly Instructions

The PORTA GANTRY and its constituent components are described in the image below.



Appropriate PPE should be worn: ► Gloves ► Protective Footwear ► Hard Hat





The PORTA GANTRY system is delivered flat packed on a pallet and should include:

- > 2 x A-Frames
- > 1 Trolley
- > Beam (sometimes shipped separately)



Gantry Tool Set (supplied as an option):

- > Ratchet handle 1/2" sq drive
- > 24mm socket
- > 24mm combination spanner
- > 14mm long series allen key
- > 14mm Hex key socket



This illustration demonstrates how an A-frame will arrive, prior to its assembly.



4a

Assemble each A-Frame by:

- > Positioning legs and bolt in place
- > Attaching leg brace

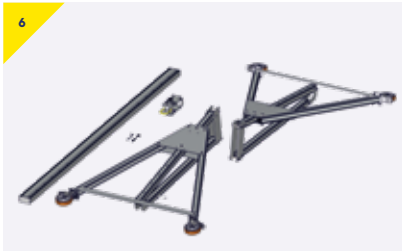
The unit is most easily assembled with the A-Frames at their lowest height setting and this is the recommended position to start from.

5

Lock castors in orientation shown. Do not use hands!

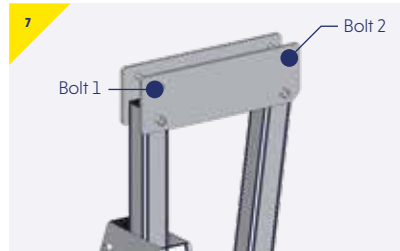
- > Apply the castor brakes
- > Put brakes on only with protective footwear ensuring that the castors are in the orientation shown

➤ Assembly Instructions

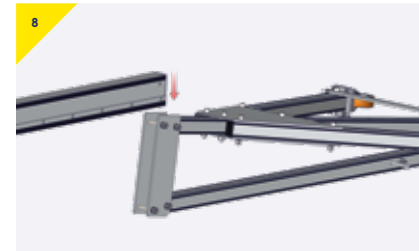


Carry out a pre-assembly visual check to ensure the following parts are included;

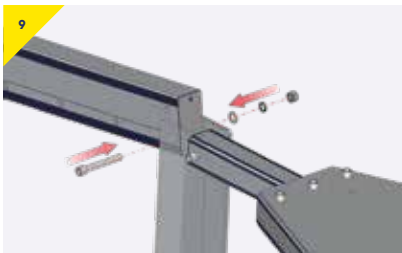
- Beam
- Trolley
- 2 x A-Frames
- Tool Set (Option)



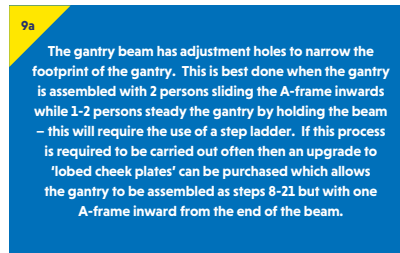
This illustration demonstrates the bolt positions (1 & 2) for the cheek plates.



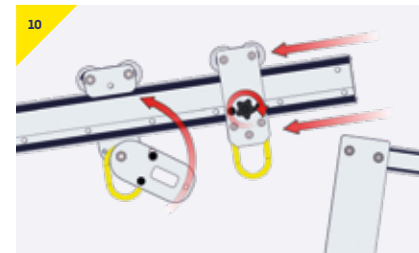
- Lay the two A-Frames a beam length apart on a flat surface in line with each other with the castor wheels outward and brakes on
- Lay the beam on the A-Frames, resting on bolt 1 on each cheek plate



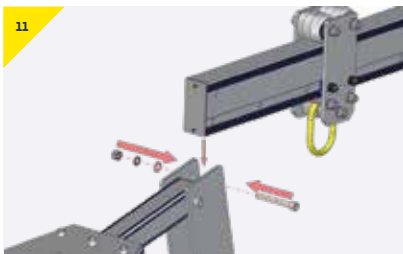
- Offer one end of the beam to the rear bolt-hole on the cheek-plate (bolt 1) and insert a bolt
- Put on plain washer, spring washer then nut, finger tight



9a The gantry beam has adjustment holes to narrow the footprint of the gantry. This is best done when the gantry is assembled with 2 persons sliding the A-frame inwards while 1-2 persons steady the gantry by holding the beam – this will require the use of a step ladder. If this process is required to be carried out often then an upgrade to 'lobed cheek plates' can be purchased which allows the gantry to be assembled as steps 8-21 but with one A-frame inward from the end of the beam.



- Thread the beam trolley over the other end of the beam and lock with the friction brake at approximately centre position. If using a gated trolley, lock with the friction break



- Offer opposite side of beam to the rear bolt-hole on the cheek-plate (bolt 1) and insert bolt
- Put on plain washer, spring washer then nut, finger tight

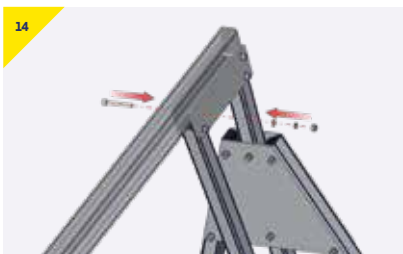


- At this stage it is useful to attach the lifting device to the trolley in order to avoid having to lift and attach when gantry is fully erect. This avoids a working at height problem when attaching a hoist



Keep hands clear of potential "Pinch" area marked with warning tape, in the scissoring system. The chain hoist must be positioned at the opposite end of beam.

- With the help of another person, scissor the beam and A-Frame into position (using the first bolt as a hinge). Be careful not to trap any fingers in this operation



- Insert the second bolt into the cheek-plate. Tighten both bolts until spring washer is fully depressed, be cautious not to overtighten



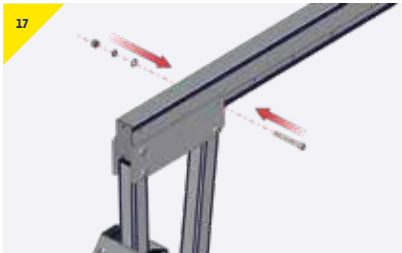
For additional safety, a spare bolt can be temporarily placed in the adjustment point.

- Move trolley to other end of beam, opposite to the end to be raised, and secure by tightening the trolley knob



- Repeat the scissor activity at the opposite end of the gantry

➤ Assembly Instructions



- Insert and tighten the final beam bolt



- If the hoist is not already attached to the suspension point on the trolley, do so now (using stepladder if height setting requires)
- If this is not safe, disassemble the gantry and re-start adding the hoist prior to scissoring the A-Frames

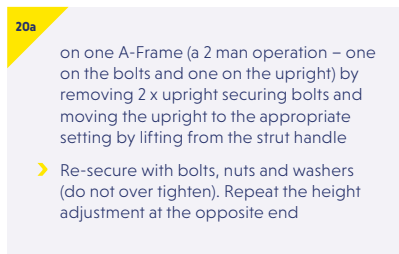


The gantry is now erect at its lowest height setting.



Beam height adjustment bolts (2 bolts on each upright). Tighten all bolts to 27 Nm (20 ft lbs) or until spring washers are fully depressed.

- Decide on the height required (always using the lowest possible setting for the work in hand). Adjust the upright position



- 20a on one A-Frame (a 2 man operation – one on the bolts and one on the upright) by removing 2 x upright securing bolts and moving the upright to the appropriate setting by lifting from the strut handle
- Re-secure with bolts, nuts and washers (do not over tighten). Repeat the height adjustment at the opposite end



Ensure the beam is horizontal and castors are locked prior to any lift.

- Release trolley brake and castor brakes to position the gantry over the load ensuring, when possible, that the load is lifted from the center of the beam

Variants & **Options.**



› Variants & Options

The list below outlines additional variants and options available;

- › Wind Up Jack Legs
- › Ratchet Beam Elevation System
- › Conversion to Winched Configuration
- › Customised Configurations

Wind Up Jack Leg Option (WUJL)

WUJL'S can be fitted to the gantry. This provides additional fine height adjustment (up to 250mm). Each foot may be adjusted independently providing a method of levelling the system on uneven ground.

If wind up jack legs are fitted the following points must be observed:

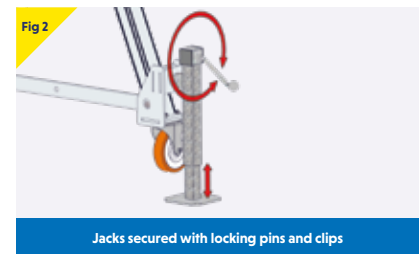
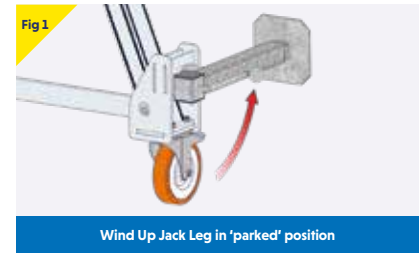
- › Check whether the castors fitted are Load Rated or Pneumatic.

N.B. For pneumatic (non load bearing) castors the WUJL system must always be applied prior to performing any lift. If load rated castors are fitted the operator can choose whether the castors or WUJL take the load on each foot of the gantry

- › When manoeuvring the gantry, always have the jack legs in the 'parked' position as shown in figure 1.
- › Position the gantry for the lift before setting the height with the jack
- › Before lifting ensure all jacks are in the correct lifting position and are secured with locking pins and clips as shown in figure 2
- › Manually raise each leg in turn and set the height by rotating jack handle clockwise
- › Having set the adjustment of all four legs, ensure that the gantry uprights are vertical, and the beam is horizontal

WUJL Inspection/Maintenance

The jack legs and brackets should be subjected to periodic inspections by a competent person in line with the products inspection and maintenance guidelines. It is recommended that when not in use the jack legs are removed and stored in a clean and dry manner. The jack leg should be lubricated with EP2 grease on the internal thread and gears, at regular intervals (up to 6 months maximum), depending on service conditions.



Ratchet Beam Elevation System Option

(Two person operation recommended – one on each A-Frame)

Always wear gloves when using this item.

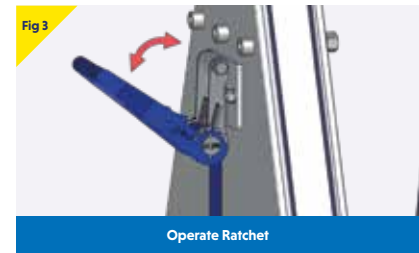
- › Ensure the hook at the end of ratchet strap is positively engaged within the bottom hole of the A-Frame upright
- › Remove lower bolt on trap plate
- › Tension ratchet strap to take the upright/beam weight
- › Remove upper bolt on trap plate
- › Operate ratchet to adjust height to required setting, ensuring that the bolt holes are aligned as in figure 3
- › Re-insert upper bolt and nut/washer assembly
- › Ease tensioned strap aside, re-insert lower bolt and secure.
- › Repeat steps 2-8 on the second A-Frame, ensuring that the gantry uprights are vertical, and the beam is horizontal
- › Check all bolts on the gantry are sufficiently secure by ensuring all spring washers are fully depressed

Easy Conversion to Winched Configuration

A Winch Kit and accessories can be supplied to convert the System into a winch capable system. Please contact your REID Representative for further details and requirements.

Customised Configurations

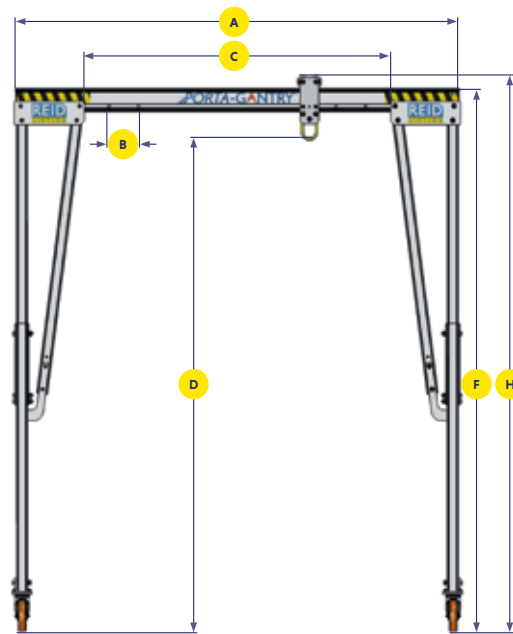
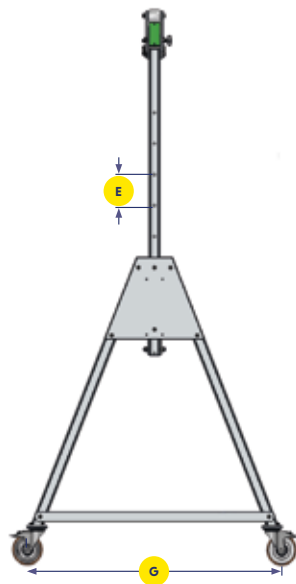
For customised systems additional assembly and operation information may be provided as required.



> Dimensions

PORTAGANTRY™

- A Beam length
- B Beam adjustment
- C Clear operating span
- D Height to lifting eye
- E Height increment
- F Height to top of beam
- G Width
- H Height to top of roller



Beam Height Adjustment

The height of each gantry beam is easily adjusted by the release of 2 bolts on each upright and can be easily and safely raised into position by increments of 200 or 150mm depending on product.

To assist with this activity a Geared Wheel or Ratchet system is provided for the larger gantries; manual on smaller frames.

Beam Options (mm)

		Standard Beam Length A (mm) (Clear Operating Span C = A - 920 mm)							
		2500	3000	3920	4570	5500	6000	8400	9000
WLL Rating (kg)	A (mm)	2500	3000	3920	4570	5500	6000	8400	9000
	C (mm)	1580	2080	3000	3650	4580	5080	7480	8080
	500	19	22	29	34	41	44	62	66
	1000	19	22	29	34	41	44	79	84
	2000	19	22	29	34	52	93	130	x
	3000	19	22	37	43	85	93	130	x
		Weight of Beams (kg)							

➤ Dimensions

Detailed Dimensions (mm)

	Product Code	Dmax	E	Dmin	F	Hmax	Hmin	G	A-Frame Weight (kg) (approx.)	Trolley roller size	Castor Diam	
		Max height to lifting eye	Height increment	Min height to lifting eye	Max height to top of beam	Max height to top of roller	Min height to top of roller	Width				
WLL (kg)	500	PGAS00500S	2355	5 x 150	1605	2675	2757	2007	1212	29	82	150
		PGAS00500M	2851	5 x 150	2101	3171	3253	2503	1429	37	82	150
		PGAS00500I	3188	5 x 200	2188	3499	3581	2581	1726	45	82	200
		PGAS00500T	4079	6 x 200	2879	4399	4481	3281	2011	50	82	200
		PGAS00500TC4	4527	6 x 200	3327	4847	4930	3730	2234	77	82	200
		PGAS00500TC3	5027	6 x 200	3827	5347	5430	4230	2557	82	82	200
		PGAS00500TC2	5527	8 x 200	3927	5848	5930	4330	2733	87	82	200
		PGAS00500TC1	5829	9 x 200	4029	6149	6231	4431	2733	90	82	200
WLL (kg)	1000	PGAS01000S	2355	5 x 150	1605	2675	2757	2007	1212	29	82	150
		PGAS01000M	2851	5 x 150	2101	3171	3253	2503	1429	37	82	150
		PGAS01000I	3188	5 x 200	2188	3499	3581	2581	1726	45	82	200
		PGAS01000T	4079	6 x 200	2879	4399	4481	3281	2011	50	82	200
		PGAS01000TC4	4527	6 x 200	3327	4847	4930	3730	2234	77	82	200
		PGAS01000TC3	5027	6 x 200	3827	5347	5430	4230	2557	82	82	200
		PGAS01000TC2	5527	8 x 200	3927	5848	5930	4330	2733	87	82	200
		PGAS01000TC1	5829	9 x 200	4029	6149	6231	4431	2733	90	82	200

		Product Code	Dmax	E	Dmin	F	Hmax	Hmin	G	A-Frame Weight (kg) (approx.)	Trolley roller size	Castor Diam
			Max height to lifting eye	Height increment	Min height to lifting eye	Max height to top of beam	Max height to top of roller	Min height to top of roller	Width			
WLL (kg)	2000	PGAS02000S	2355	5 x 150	1605	2675	2757	2007	1212	32	82	150
		PGAS02000M	2851	5 x 150	2101	3171	3253	2503	1429	37	82	150
		PGAS02000I	3188	5 x 200	2188	3499	3581	2581	1726	45	82	200
		PGAS02000T	4079	6 x 200	2879	4399	4481	3281	2011	50	82	200
		PGAS02000TC4	4527	6 x 200	3327	4847	4930	3730	2234	77	82	200
		PGAS02000TC3	5027	6 x 200	3827	5347	5430	4230	2557	82	82	200
		PGAS02000TC2	5527	8 x 200	3927	5848	5930	4330	2733	87	82	200
		PGAS02000TC1	5829	9 x 200	4029	6149	6231	4431	2733	90	82	200
WLL (kg)	3000	PGAS05000S	2410	5 x 150	1660	2730	2812	2062	1212	48	82	200
		PGAS05000M	2906	5 x 150	2156	3226	3308	2558	1429	53	82	200
		PGAS05000I	3188	5 x 200	2188	3499	3581	2581	1726	66	82	200
		PGAS05000T	4079	6 x 200	2879	4399	4481	3281	2011	72	82	200
		PGAS05000TC4	4527	6 x 200	3327	4847	4930	3730	2234	77	82	200
		PGAS05000TC3	5027	6 x 200	3827	5347	5430	4230	2557	82	82	200
		PGAS05000TC2	5527	8 x 200	3927	5848	5930	4330	2733	87	82	200
		S & M versions also available as custom systems										

Dimensions use standard Master Link Trolley, other options available to increase resulting height of lift (HoL) and to assist with load movement.

➤ Quality & Safety

Regulations, Standards & Directives

This product complies with the following:

- ATEX Directive - 2014/34/EU
- Machinery Directive 2006/42/EC
- PPE Regulation (EU) 2016/425
- The Provision and Use of Work Equipment Regulations 1998 (S.I. 1998 No. 2306)
- The Lifting Operations and Lifting Equipment Regulations 1998 (S.I. 1998 No. 2307)
- In conformity with EN795:2012, AS/NZS 5532:2013 and PD CEN/TS 16415:2013

It is essential to adhere to the safety regulations of the respective country for using manual lifting equipment.

Accreditations

Quality and safety are key themes throughout this document and the REID Lifting ethos. It is with this in mind that we have undertaken external accreditations to ensure we stay focused on what is important to our clients and users, and ahead of market trends and developments.

REID Lifting is continuously audited by Lloyds Register Quality Assurance (LRQA) for approval of its Integrated Management System combining quality systems management, environmental issues and the health and safety practices within the company.

- ISO 9001:2015 - Specifies requirements for a quality management system for any organization that needs to demonstrate its ability to consistently provide products that meet customer and applicable regulatory requirements and aims to enhance customer satisfaction.
- ISO 14001:2015 - Specifies the requirements for implementing environmental management systems throughout all areas of the company.
- OHSAS 18001:2007 - Occupational health and safety management system.

- LEEA Membership - REID Lifting is a full member of the Lifting Equipment Engineers Association (LEEA membership 000897). REID Lifting conforms to the main aims of the association which is to achieve the highest standards of quality and integrity in the operations of members. Entry qualifications are demanding and strictly enforced through technical audits based on the Technical Requirements for Members.
- IRATA - REID Lifting is an associate member of the Industrial Rope Access Trade Association (IRATA International membership number 148). REID Lifting works in accordance with the IRATA Code of Practice, by doing so, contributes to promote the development of safe systems.

Conformité Européenne [CE]

REID Lifting's products have been designed, tested and approved (as appropriate) by the Conformité Européenne. This certifies that REID Lifting's products meet the demands of the European Directives and Regulations regarding Health and Safety requirements. The EC type-examination for this device has been carried out by SGS United Kingdom Ltd, 202b, Worle Parkway, Weston-super-Mare, BS22 6WA, United Kingdom (CE body no.0120) in accordance with Module B of the PPE Regulation. The EC quality assurance system for this device has been carried out by SGS Fimko Oy, Takomotie 8, FI-00380 Helsinki, Finland. (CE body no. 0598) in accordance with Module D PPE Regulation (EU) 2016/425.

The Queen's Award for Enterprise

REID Lifting has been awarded this prestigious award on four occasions for design, development and sale of lightweight, portable and safe lifting solutions.

- › Innovation category 2006 and 2013
- › International Trade 2013 and 2018

Testing

Testing and technical file review are integral parts of our design and manufacturing process. External verification of products is undertaken where appropriate, using government approved Notified Bodies.

All products have been thoroughly type tested. Each product is supplied with a certificate of conformance and individual record of thorough examination or test.

Language

It is essential for the safety of the user that if this product is re-sold outside of the original country of destination, the reseller shall provide instructions for use, maintenance, inspection and repair in the language of the country where it will be used.

Product IPR

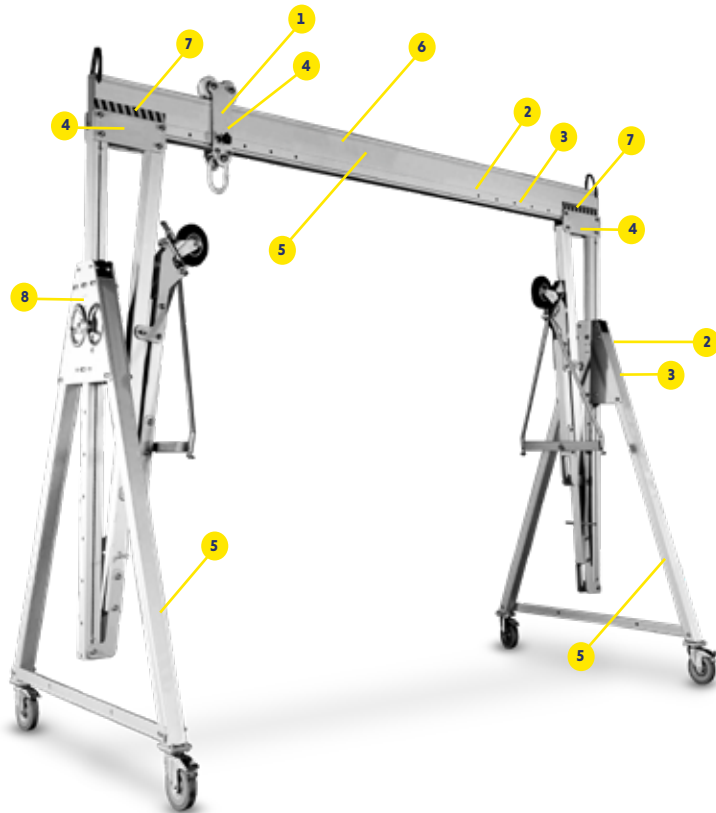
Intellectual property rights apply to all REID Lifting Ltd products. There are patents in place, or pending, for:

PORTAGANTRY | **PORTAGANTRY** RAPIDE | **PORTADAVIT** QUANTUM | **TDAVIT**

All product names are trademarks of REID Lifting Ltd.

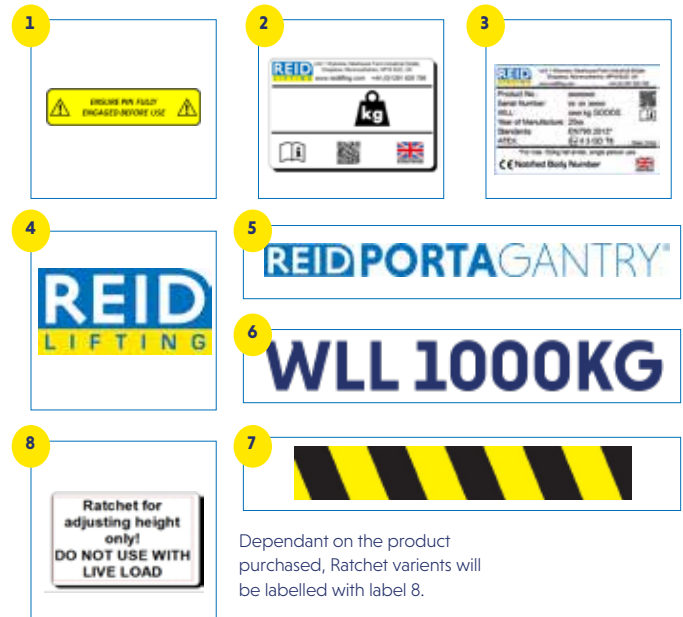
PORTAGANTRY | **PORTAGANTRY** RAPIDE | **PORTADAVIT** | **PORTABASE** | **TDAVIT** | **PORTAQUAD**

➤ Product Labelling



Product labelling

The following labels must be present on the product and must be legible.



Dependant on the product purchased, Ratchet variants will be labelled with label 8.

> Inspection Record



Insert data from serial numbers found on product into table here:

Marking

The serial labels indicate:

- > The product identification number
- > The product's unique serial number
- > The goods' capacity (WLL) of the device
- > The year of manufacture
- > The standards to which the device is approved
- > The ATEX rating of the product (if applicable)
- > CE Marking
- > Minimum braking load (MBL)

Periodic Examination & Repair History

Date	Inspected by	Pass/Fail	Comments

Contact Us

Head Office, UK

Unit 1 Wyeview
Newhouse Farm Industrial Estate
Chepstow
Monmouthshire
NP16 6UD
United Kingdom

- > +44 (0)1291 620 796
- > enquiries@reidlifting.com
- > www.reidlifting.com

All information herein is copyright protected by REID Lifting Ltd. All company and product names are Trade Mark and Trade Name protected and all REID Lifting Ltd. Product IPR is protected under Patents, Patents Pending and/or Design Rights.

 Printed using environment friendly processes and materials.